



DOMESTIC PRODUCT SUBMITTAL

TUFGRIP™ DUAL WEDGE®

PATENT PENDING

Series 1500 DUAL WEDGE® - For PVC, Ductile, and HDPE Pipe

“A Proven Third Generation Mechanical Joint Restraint”



MJ TUF Grip™ TDW

Torque Nut



Tyler Union's TUF Grip restraint represents the culmination of 20 years of engineering and testing. As a 3rd generation restraint, TUF Grip is the best available technology in the Waterworks market for use in restraining PVC, Ductile, and HDPE Pipe.

“BETTER BY DESIGN”

SPECIFICATIONS:

- Proven to restrain plain end PVC, Ductile iron, and HDPE pipe in diameters 4” thru 24”. **Note: IPS diameter pipe requires the use of an MJ Transition gasket
- Restraint design conforms with applicable requirements of ANSI/AWWA C111, ANSI/AWWA C153, and ANSI/AWWA C110
- Restraint engineered for securing plain end pipe to mechanical joint fittings conforming to ANSI/AWWA C110, C111, and C153
- Cast of ASTM A536 compliant 65-45-12 ductile iron complete with a cast on date code and country of origin for traceability
- Restraints and all components are designed and proven for a 2:1 safety factor based on the pipe pressure rating
- Restraint deflection rating when installed on nominal diameter pipe is 4”-12” - 3°, 14”-16” - 2°, and 18”-24” - 1.5°
- Standard coating for Domestic restraint is 4-6 mil of TUF-Bond™(thermoset polyester for impact, corrosion and UV protection)
- Gripping wedges are heat treated to a minimum 420 Brinell Hardness
- Gripping wedge, wedge collar bolt, and twist off torque limiting nut shall be e-coated
- FM approved for 4” thru 12” applications and UL listed and approved for 4” thru 24” applications
- Not recommended for use on plain end fittings
- Color coded orange for use on multiple classes of pipe and to distinguish from traditional restraints.

FEATURES & ADVANTAGES:

- Torque limiting nut on gripping wedge assembly twists off within a designed torque range eliminating the need for specialized tools
- Gripping wedge assembly pivots providing stronger engagement of pipe wall at lower torque requirement (45-60 ft.-lbs.)
- Proven restraint technology utilizing fewer gripping wedges in frequently applied diameters, reducing trench time and project cost
- Restraint's heavy duty construction and design eliminates the need for costly thrust blocks and tie rods
- Approved for use on multiple classes of pipe – Pressure ratings and associated pipe classes provided on the following pages
- Suitable for Potable and Wastewater applications
- Controlled wedge contour to accommodate contact circumference when assembled on different types of pipe.

ISO 9001-2008 Registered		Listed with Underwriters Laboratory		Factory Mutual Approved	
Product Source/Type	Name of Project	Name of Contractor	Project Engineer	Spec. Section and/or Project No.	
<input type="checkbox"/> 100% Domestic					

Tyler Union Waterworks Contact Information

Tyler: 11910 CR 492 • Tyler, Texas 75706 • (800) 527-8478
Anniston: 1501 W 17th St. • Anniston, AL 36201 • (800) 226-7601
Corona: 1001 El Camino Ave. • Corona, CA 92879 • (866) 527-8471

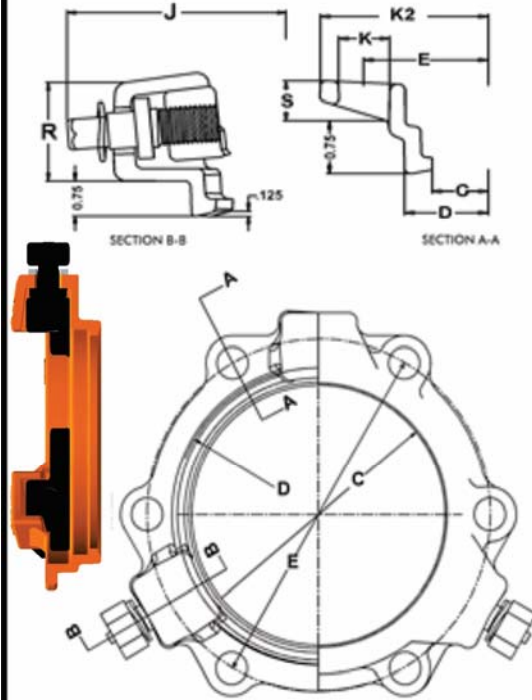


TUFGrip™ DUAL WEDGE®

PATENT PENDING

"Better By Design"

Series 1500 DUAL WEDGE®- PVC, Ductile, and HDPE Restraint



TUFGrip™ MJ Restraint Dimensions

Size (inches)	C	D	E	K2	J	K	R	S
3	4.08	4.88	6.19	7.67	9.82	3/4	2.20	0.86
4	4.93	5.92	7.50	8.98	10.67	7/8	2.20	0.73
6	7.03	8.02	9.50	10.98	12.77	7/8	2.24	0.82
8	9.18	10.17	11.75	13.23	14.92	7/8	2.28	0.82
10	11.23	12.22	14.00	15.70	16.97	7/8	2.37	0.93
12	13.33	14.32	16.25	17.95	19.07	7/8	2.40	0.93
14	15.44	16.40	18.75	20.43	21.18	7/8	2.57	0.91
16	17.54	18.50	21.00	22.88	23.28	7/8	2.57	1.05
18	19.64	20.60	23.25	25.43	25.38	7/8	2.57	1.05
20	21.74	22.70	25.50	27.50	27.48	7/8	2.66	1.15
24	25.94	26.90	30.00	32.00	31.68	7/8	2.72	1.35
30	32.18	33.30	36.88	39.42	39.78	1-1/8	3.86	1.53
36	38.48	39.60	43.75	46.29	46.08	1-1/8	3.86	1.53
42	44.68	45.80	50.62	53.62	53.08	1-3/8	4.56	2.05
48	50.98	52.10	57.50	60.50	59.28	1-3/8	4.56	2.05

SERIES 1500 TDW - TUF Grip™ - APPLICATION CHART

Pressure Rating

Size (Inches)	Part No. - Gland Only 100% Domestic	Wedge Qty.	T-Head Bolt Qty.	Bolt Size	Gland weight(lbs.)	Weight (w/Acc.)	DI Pipe	C-900 C-905	Pipe O.D.
4	603000	2	4	3/4" x 3.5"	7.1	11.8	350	*305/DR14	4.80
6	603005	3	6	3/4" x 4"	11.2	18.8	350	*305/DR14	6.90
8	603010	3	6	3/4" x 4"	13.1	20.3	350	*305/DR14	9.05
10	603015	6	8	3/4" x 4"	26.0	32.5	350	*305/DR14	11.10
12	603020	8	8	3/4" x 4"	31.5	40.4	350	*305/DR14	13.20
14	603025	10	10	3/4" x 4.5"	43.3	53.6	350	*235/DR18	15.30
16	603030	12	12	3/4" x 4.5"	54.1	66.3	350	*235/DR18	17.40
18	603035	12	12	3/4" x 4.5"	59.8	72.2	250	*235/DR25	19.50
20	603040	14	14	3/4" x 4.5"	69.8	83.8	250	*235/DR25	21.60
24	603045	16	16	3/4" x 5"	90.4	106.9	250	*235/DR25	25.80

*Note: The pressure ratings are rated working water pressure for the restraint. See page 3 for additional ratings.

ISO 9001-2008 Registered

Listed with Underwriters Laboratory

Factory Mutual Approved

STOP-LOOK :

- For Approvals, 3-12 inch were tested at 3° of deflection, 14-16 inch were tested at 2° of deflection, and 18-24 inch were tested at 1.5° of deflection; 4-16 inch test were to 700 psi and 18-24 tests were to 500 psi.
- The Series 1500 TUF Grip is specified for use on PVC, Ductile, and HDPE Pipe but can be used on some sizes of cast grey iron or pit cast pipe if the pipe is not severely corroded, is in sound condition, and has an outside diameter compatible with the as provided dimensions.
- Installation and hydrostatic testing shall be in accordance with AWWA C600 and AWWA C651.

Tyler Union Waterworks Contact Information

Tyler: 11910 CR 492 • Tyler, Texas 75706 • (800) 527-8478

Anniston: 1501 W 17th St. • Anniston, AL 36201 • (800) 226-7601

Corona: 1001 El Camino Ave. • Corona, CA 92879 • (866) 527-8471

www.tylerunion.com

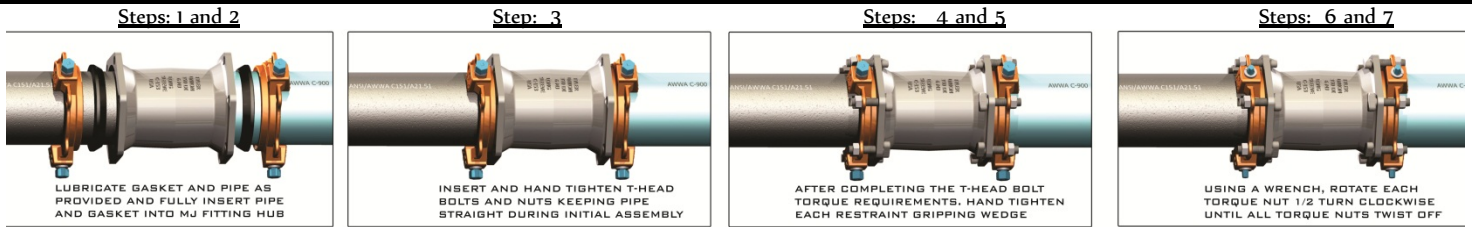
TUFGRIP™ DUAL WEDGE®
PATENT PENDING

**SERIES 1500 TDW-TUF GRIP™ RESTRAINT RATINGS																
SIZE (Inches)	Ductile Pipe	AWWA C900			AWWA C905			AWWA C909	ASTM D2241			HDPE* AWWA C906				
	C151/A21.51	DR14	DR18	DR25	DR18	DR25	DR32.5	C909	SDR17	SDR21	SDR26	DR7.3	DR9	DR11	DR13.5	DR17
4	350	305	235	165	-	-	-	235/150*	250	200	160	254	200	160	128	100
6	350	305	235	165	-	-	-	235/150*	250	200	160	254	200	160	128	100
8	350	305	235	165	-	-	-	235/150*	250	200	160	254	200	160	128	100
10	350	305	235	165	-	-	-	235/150*	250	200	160	254	200	160	128	100
12	350	305	235	165	-	-	-	235/150*	250	200	160	254	200	160	128	100
14	350	-	-	-	235	165	125	-	-	-	-	254	200	160	128	100
16	350	-	-	-	235	165	125	-	-	-	-	254	200	160	128	100
18	250	-	-	-	200	165	125	-	-	-	-	-	-	-	-	-
20	250	-	-	-	200	165	125	-	-	-	-	-	-	-	-	-
24	250	-	-	-	165	165	125	-	-	-	-	-	-	-	-	-

**Note: Pressure Ratings for Ordinary Water Works Restraint Application with Transitory Surges Only

**Note: AWWA C909 PVCO Restraint Pressure Rating is per the Pressure Rating Listed on the Pipe

*Note: HDPE application require a separate stiffener ring, 4-16 for DI OD Pipe & 4-12 for IPS OD Pipe



1. Insure the beveled pipe end to be joined and mechanical joint socket are clean and free of debris. Slide the Orange TUF Grip onto the beveled end of the pipe to be restrained. The TUF Grip compression lip extension must be toward the beveled end of the pipe being restrained.
2. Evenly lubricate the beveled pipe end, exterior pipe wall, and inside surface of the gasket with a lubricant that meets the requirements of AWWA C111. Now place the **MJ gasket over the plain beveled end of the pipe with the narrow edge of the tapered gasket toward the pipe end. ****NOTE:** Use MJ transition gasket with IPS diameter pipe.
3. Fully insert the beveled pipe end into the MJ socket pipe landing. Keeping the pipe straight in the MJ socket, slide/push the MJ gasket firmly and evenly into the MJ socket recess. Joint must be kept straight during assembly.
4. Push the TUF Grip compression lip extension evenly against the thick side of the MJ gasket and insert all T-Head bolts with nuts. Use only T-Head bolts and nuts that meet AWWA C111 requirements. With the TUF Grip restraint lip extension against the MJ gasket, evenly hand-tighten the nuts on the T--Head bolts making sure the restraint body is centered on the pipe and within in the MJ socket. If joint deflection is needed, deflect the pipe only after hand tightening of all nuts is completed. Joint deflection is 3° max for 4"-12", 2° max for 14"-16", 1.5° max for 18"-24". **NOTE:** Maximum deflection values provided apply with nominal pipe, fitting, and restraint diameters.
5. Using a wrench, tighten the T-Head bolts and nuts a few turns at a time in an alternating or star pattern. Maintain equal spacing or distance between the TUF Grip bolt flange and the MJ socket bolt flange as the MJ gasket is compressed. Repeat the process in an alternating pattern for all T-Head bolts and nuts. The T-Head bolt and nut torque requirement for restraints is 4"- 24"-75-90 ft.-lbs.
NOTE: The C909 PVCO T-Head bolt and nut torque is 55-65 ft.-lbs. for 4"-8" and 65-75 ft.-lbs. for 10"-12"restraints.
DO NOT OVER-TORQUE T-HEAD BOLTS and NUTS WHEN ASSEMBLING PVC and PVCO PIPE!
6. ****Hand-tighten** the torque limiting nuts attached to the TUF Grip wedge assemblies in a clockwise direction with an alternating or star pattern until all gripping wedges are in contact with the pipe wall. Rotational direction of torque nut is indicated by recessed arrow on the face of the nut. With a wrench (box, socket, or pneumatic), continue to tighten each torque nut ½ turn in an alternating or star pattern around the restraint until all torque limiting nuts twist off. **NEVER** turn a torque limiting nut more than ½ turn without turning the remaining torque nuts an equal amount! ****NOTE:** For IPS and PVC applications, ensure step 5 is completed before engaging wedges. Failure to comply will result in excessive pipe wall deflection and torque nuts will not twist off as designed.
7. When all torque limiting nuts twist off, the mechanical joint and restraint assembly are complete.

Tyler Union Waterworks Contact Information

Tyler: 11910 CR 492 • Tyler, Texas 75706 • (800) 527-8478
Anniston: 1501 W 17th St. • Anniston, AL 36201 • (800) 226-7601
Corona: 1001 El Camino Ave. • Corona, CA 92879 • (866) 527-8471