

SUBMITTAL:

(Current revisions for the noted Standards apply)

SIZES:

Adjustable Slip and Screw type with standard assembly lengths ranging from 19" to 72"
(Lengths noted do not include the addition of risers, extensions, and/or bases). See the catalog
or List Price guide for accessories, lids, bases, risers, meter covers, etc.

STANDARDS:

Produced with Class 35 cast iron in accordance with and meeting all applicable terms and provisions of
ASTM A48. All Tyler Union valve boxes when properly installed are suitable for use in conjunction with
projects utilizing American Association of State Highway and Transportation Officials (AASHTO) standards
and provisions.

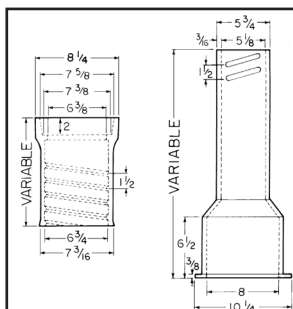
INSTALLATION:

Per AWWA M44, Manual of Water Supply Practices

COATING:

The asphaltic bituminous coating is applied to a minimum thickness of 1.5 mil and the coating once dry
is neither brittle when cold or sticky when exposed to the sun

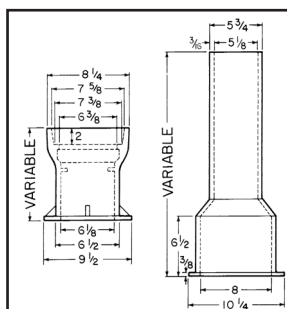
**For 4" - 12" Valves
5-1/4" Shaft, Screw Type**



**6850 SCREW TYPE
VALVE BOX
Cast Iron - 2 piece**

Components	Extension Height
10T + 15B	19-22
10T + 24B	27-32
16T + 24B	27-37
16T + 30B	33-43
16T + 36B	39-50
26T + 30B	36-52
26T + 36B	39-60
26T + 24B + #60 Ext	53-71
26T + 36B + #60 Ext	64-82

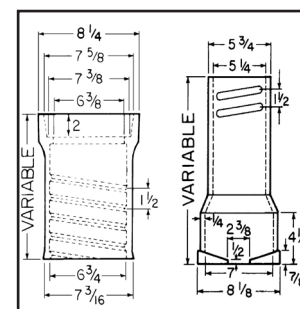
**For 4" - 12" Valves
5-1/4" Shaft, Slip Type**



**6855 SLIP TYPE
VALVE BOX
Cast Iron - 2 piece**

Components	Extension Height
10T + 15B	19-22
10T + 24B	27-32
16T + 24B	27-37
16T + 30B	33-43
16T + 36B	39-50
26T + 30B	36-52
26T + 36B	39-60
26T + 24B + #60 Ext	53-71
26T + 36B + #60 Ext	64-82

**For 3" - 20" Valves
5-1/4" Shaft, Screw Type**



**6860 SCREW TYPE
VALVE BOX
Cast Iron - 3 piece**

Components	Extension Height
10T + 12B	27-37
10T + 18B	33-42
16T + 24B	39-49
16T + 30B	45-54
16T + 36B	51-60
26T + 30B	45-66
26T + 36B	51-72
16T + 24B + #60 Ext	63-72
26T + 24B + #60 Ext	63-84
26T + 36B + #60 Ext	74-94

NOTE: Base Required,
Order Separately

T = Top B = Bottom Ext = Extension