

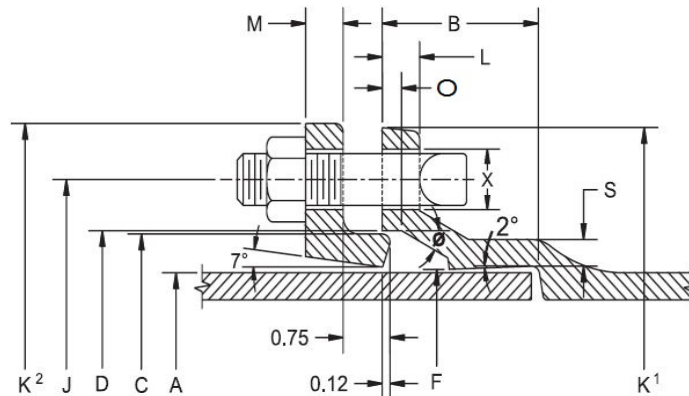
DOMESTIC

NON-DOMESTIC

## SUBMITTAL: C110 MECHANICAL JOINT PRODUCT

(Current revisions for the noted Standards apply)

- SIZES:** 2" - 48"
- STANDARDS:** ANSI/AWWA C110/A21.10, NFPA 13/24, 3" - 12" UL listed and approved (File - Tyler Union)
- MATERIAL:** Cast of ASTM A536 qualified ductile iron. Date code is cast on and required for traceability.
- PRESSURE RATING:** \*Flanged fittings rated at 250 psi. Mechanical joints 2" - 24" rated at 350 psi and 30" - 48" at 250 psi.  
\*Note: With rubber annular ring flange gasket, 2" - 24" Flanged fittings can be rated at 350 psi.  
Note: Wyes over 12" are not pressure rated. Contact Tyler Union for rating in your application.
- DEFLECTION:** Joint deflection 5° max for 2"- 12" and 3° max for 14"- 48". Reduces by 50% at nominal pipe & fitting diameters
- NSF-61 & NSF372:** Meets all requirements including Annex G, Tyler Union's Underwriters Laboratory listing MH16439.
- ASPHALT COATING:** Per ANSI/AWWA C104/A21.4 and ANSI/AWWA C110/A21.10.
- CEMENT LINING:** Per ANSI/AWWA C104/A21.4, with double cement lining available upon request.
- EPOXY COATING:** Fusion bonded epoxy per ANSI/AWWA C116/A21.16. Additional coatings available upon request.
- BARE FITTINGS:** Available upon request.
- FASTNERS:** High strength low alloy weathering steel per ANSI/AWWA C111/A21.11 and ASTM A242
- INSTALLATION:** Install per AWWA C600/C651 using pipe conforming to ANSI/AWWA C151/A21.51 or AWWA C900/905.



NOMINAL JOINT DIMENSIONS IN INCHES

| Size Inches | A Dia. DI Pipe | B Hub Depth | C Dia. GLAND | D Dia. | F Dia. | ∅   | X     | J Dia. GLAND | K <sup>1</sup> Dia. | K <sup>2</sup> Dia. GLAND | L    | M GLAND | O    | S    | Qty. BOLTS |
|-------------|----------------|-------------|--------------|--------|--------|-----|-------|--------------|---------------------|---------------------------|------|---------|------|------|------------|
| 2           | 2.51           | 2.50        | 3.39         | 3.50   | 2.61   | 28° | 3/4   | 4.75         | 6.25                | 6.25                      | 0.73 | 0.62    | 0.31 | 0.44 | 2          |
| 3           | 3.96           | 2.50        | 4.84         | 4.94   | 4.06   | 28° | 3/4   | 6.19         | 7.69                | 7.69                      | 0.94 | 0.62    | 0.31 | 0.52 | 4          |
| 4           | 4.80           | 2.50        | 5.92         | 6.02   | 4.90   | 28° | 7/8   | 7.50         | 9.12                | 9.12                      | 1.00 | 0.75    | 0.31 | 0.65 | 4          |
| 6           | 6.90           | 2.50        | 8.02         | 8.12   | 7.00   | 28° | 7/8   | 9.50         | 11.12               | 11.12                     | 1.06 | 0.88    | 0.31 | 0.70 | 6          |
| 8           | 9.05           | 2.50        | 10.17        | 10.27  | 9.15   | 28° | 7/8   | 11.75        | 13.37               | 13.37                     | 1.12 | 1.00    | 0.31 | 0.75 | 6          |
| 10          | 11.10          | 2.50        | 12.22        | 12.34  | 11.20  | 28° | 7/8   | 14.00        | 15.69               | 15.62                     | 1.19 | 1.00    | 0.31 | 0.80 | 8          |
| 12          | 13.20          | 2.50        | 14.32        | 14.44  | 13.30  | 28° | 7/8   | 16.25        | 17.94               | 17.88                     | 1.25 | 1.00    | 0.31 | 0.85 | 8          |
| 14          | 15.30          | 3.50        | 16.40        | 16.54  | 15.44  | 28° | 7/8   | 18.75        | 20.31               | 20.25                     | 1.31 | 1.25    | 0.31 | 0.89 | 10         |
| 16          | 17.40          | 3.50        | 18.50        | 18.64  | 17.54  | 28° | 7/8   | 21.00        | 22.56               | 22.50                     | 1.38 | 1.31    | 0.31 | 0.97 | 12         |
| 18          | 19.50          | 3.50        | 20.60        | 20.74  | 19.64  | 28° | 7/8   | 23.25        | 24.83               | 24.75                     | 1.44 | 1.38    | 0.31 | 1.05 | 12         |
| 20          | 21.60          | 3.50        | 22.70        | 22.84  | 21.74  | 28° | 7/8   | 25.50        | 27.08               | 27.00                     | 1.56 | 1.44    | 0.31 | 1.12 | 14         |
| 24          | 25.80          | 3.50        | 26.90        | 27.04  | 25.94  | 28° | 7/8   | 30.00        | 31.58               | 31.50                     | 1.62 | 1.56    | 0.31 | 1.22 | 16         |
| 30          | 32.00          | 4.00        | 33.29        | 33.46  | 32.17  | 20° | 1-1/8 | 36.88        | 39.12               | 39.12                     | 1.81 | 2.00    | 0.38 | 1.50 | 20         |
| 36          | 38.30          | 4.00        | 39.59        | 39.76  | 38.47  | 20° | 1-1/8 | 43.75        | 46.00               | 46.00                     | 2.00 | 2.00    | 0.38 | 1.80 | 24         |
| 42          | 44.50          | 4.00        | 45.79        | 45.96  | 44.67  | 20° | 1-3/8 | 50.62        | 53.12               | 53.12                     | 2.00 | 2.00    | 0.38 | 1.95 | 28         |
| 48          | 50.80          | 4.00        | 52.09        | 52.26  | 50.97  | 20° | 1-3/8 | 57.50        | 60.00               | 60.00                     | 2.00 | 2.00    | 0.38 | 2.20 | 32         |