

DOMESTIC

NON-DOMESTIC

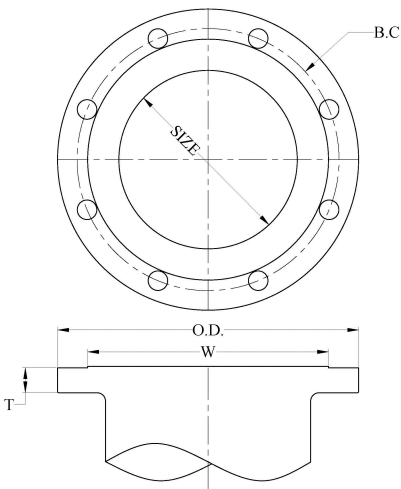
SUBMITTAL: C110 FLANGE JOINT CLASS 250 PRODUCT

(Current revisions for the noted Standards apply)

- SIZES:** 2" through 48"
- STANDARDS:** ANSI/AWWA C110/A21.10, NFPA 13/24, ASME B16.1
- MATERIAL:** Cast of ASTM A536 qualified ductile iron. Date code is cast on and required for traceability.
- PRESSURE RATING:** *Flanged fittings *2" – 48" rated at 250 psi.
*Note: With rubber annular ring flange gasket, 2" – 24" Flanged fittings can be rated at 350 psi.
- DEFLECTION:** Deflection is "not" recommended for flange joint due to the rigidity of the joint.
- NSF-61 & NSF372:** Meets all requirements including Annex G, Tyler Union's Underwriters Laboratory listing MH16439.
- COATING:** Asphaltic or Primer per ANSI/AWWA C104/A21.4, Standard primer is Tnemec Pota Pox 140N-1211. Contact Tyler Union for additional coating options.
- CEMENT LINING:** Per ANSI/AWWA C104/A21.4, with double cement lining.
- EPOXY COATING:** Fusion bonded epoxy per ANSI/AWWA C116/A21.16. Additional coatings available upon request.
- BARE FITTINGS:** Available upon request.
- FLANGES:** ANSI Class 250 per ASME B16.1 and ANSI/AWWA C111/A21.11. Bolt holes shall straddle the center line
- NOTE: Class 250 ASME B16.1 are not compatible with Class 125 Flanges**
- NOTE: Class 250 ASME B16.1 fittings are available upon request.**
- FASTENERS:** High strength low alloy weathering steel per ANSI/AWWA C111/A21.11 and ASTM A242
- INSTALLATION:** Install per AWWA C600/C651 using pipe conforming to ANSI/AWWA C151/A21.51.

CLASS 250 FLANGE DETAILS IN INCHES

BOLTS



Size Inch	Diameter DI Pipe	Flange O.D.	W (Raised Face)	Dia. of Bolt Circle	Flange Thickness T	Bolt Hole Diameter	Number of Bolts	Bolt Dia. and Lengths
2	2.51	6.50	4.19	5.00	0.88	0.75	8	5/8 x 3
3	3.96	8.25	5.69	6.62	1.12	0.875	8	3/4 x 3.5
4	4.80	10.00	6.94	7.88	1.25	0.875	8	3/4x4
6	6.90	12.50	9.69	10.62	1.44	0.875	12	3/4 x 4
8	9.05	15.00	11.94	13.00	1.62	1.000	12	7/8 x4.5
10	11.10	17.50	14.06	15.25	1.88	1.125	16	1.0x5.5
12	13.20	20.50	16.44	17.75	2.00	1.250	16	1.12 x5.5
14	15.30	23.00	18.94	20.25	2.12	1.250	20	1.12x 6.0
16	17.40	25.50	21.06	22.50	2.25	1.375	20	1.25x 6.5
18	19.50	28.00	23.31	24.75	2.38	1.375	24	1.25 x 6.5
20	21.60	30.50	25.56	27.00	2.50	1.375	24	1.25 x7.0
24	25.80	36.00	30.31	32.00	2.75	1.625	24	1.5 x 7.5
30	32.00	43.00	37.19	39.25	3.00	2.000	28	1.75 x 8.5
36	38.30	50.00	43.69	46.00	3.38	2.250	32	2x9.5
42	44.50	57.00	50.44	52.75	3.69	2.250	36	2x10
48	50.80	65.00	58.44	60.75	4.00	2.250	40	2x11